

Properties

- Ø30 mm housing
- 15 mm, non-flush mountable
- DC, 3-wire switching output
- Cable and connector versions

Technical Data

For detailed data and product description refer to the data sheets at www.pepperl-fuchs.com

General Data

Rated operating distance	15 mm
Installation	non-flush
Type of voltage	DC
Operating voltage	10 ... 30 V
Reverse polarity protection	✓
Switching frequency	0 ... 200 Hz
Operating current	0 ... 200 mA
Short-circuit protection	pulsing
Indication of the switching state	LED, yellow
Housing material	brass, nickel-plated
Protection degree	IP67

Model Number

		NBN15-30GM50-E0	NBN15-30GM50-E2	NBN15-30GM50-E0-V1	NBN15-30GM50-E2-V1
Switching element function	NPN	●	●	●	●
	NO				
No-load supply current	PNP	●	●	●	●
	NO				
Ambient temperature	≤ 15 mA	●	●	●	●
	≤ 20 mA				
Connection type	-25 ... 70 °C (-13 ... 158 °F)	●	●	●	●
	-40 ... 70 °C (-40 ... 158 °F)				
Device connector M12 x 1, 4-pin cable PVC, 2 m	Device connector M12 x 1, 4-pin	●	●	●	●
	cable PVC, 2 m				

Approvals and Certificates

UL approval	cULus Listed, General Purpose	●	●	●	●
CSA approval	cCSAus Listed, General Purpose	●	●	●	●
CCC approval	Products with a maximum operating voltage of ≤36 V do not bear a CCC marking because they do not require approval.				

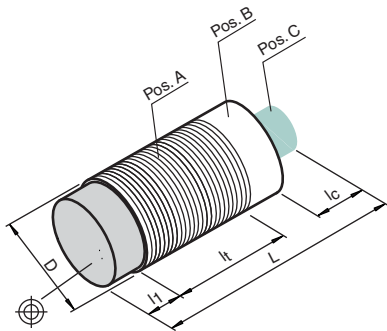
Dimensions

Length L [mm]	50	65
Diameter D [mm]		30
Thread length l _t [mm]		32
Cap length l ₁ [mm]		18
Connector area l _c [mm]	0	15
LED position		Pos. C

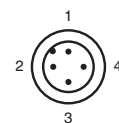
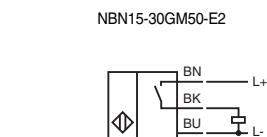
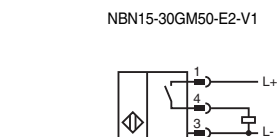
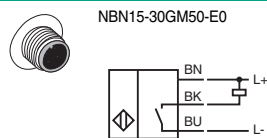
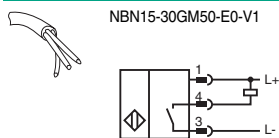
Accessories

This and more accessories can be found in chapter 10
 See pages from 972 ... for cordsets See pages 1068 ... for mounting aids

- BF 30** Mounting flange, 30 mm
- V1-G-BK** 4-pin, M12 female field-attachable connector
- V1-W-BK** 4-pin, M12 female field-attachable connector
- V1-G-2M-PUR** Cable socket, M12, 4-pin, PUR cable
- V1-W-2M-PUR** Cable socket, M12, 4-pin, PUR cable



Electrical Connection



Wire colors in accordance with EN 60947-5-2

- 1 BN (brown)
- 2 WH (white)
- 3 BU (blue)
- 4 BK (black)



Technical Data

For detailed data and product description refer to the data sheets at www.pepperl-fuchs.com

General Data

Rated operating distance	15 mm
Installation	non-flush
Type of voltage	DC
Operating voltage	10 ... 30 V
No-load supply current	≤ 20 mA
Reverse polarity protection	✓
Switching frequency	0 ... 200 Hz
Operating current	0 ... 200 mA
Short-circuit protection	pulsing
Indication of the switching state	LED, yellow
Ambient temperature	-25 ... 70 °C (-13 ... 158 °F)
Housing material	brass, nickel-plated
Protection degree	IP67

Properties

- Ø30 mm housing
- 15 mm, non-flush mountable
- DC, 4-wire switching output
- Cable and connector versions

Model Number

		NBN15-30GM60-A0	NBN15-30GM60-A2	NBN15-30GM60-A0-V1	NBN15-30GM60-A2-V1
Switching element function	NPN NO/NC PNP NO/NC	●	●	●	●
Connection type	Device connector M12 x 1, 4-pin cable PVC, 2 m	●	●	●	●

Approvals and Certificates

UL approval	cULus Listed, General Purpose	●	●	●	●
CSA approval	cCSAus Listed, General Purpose	●	●	●	●
CCC approval	Products with a maximum operating voltage of ≤36 V do not bear a CCC marking because they do not require approval.				

Dimensions

Length L [mm]		60	70
Diameter D [mm]			30
Thread length l _t [mm]			42
Cap length l ₁ [mm]			18
Connector area l _c [mm]		0	10
LED position		Pos. C	Pos. A

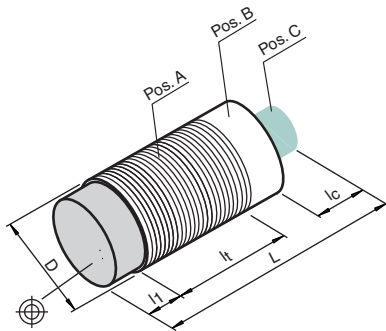
Accessories

This and more accessories can be found in chapter 10

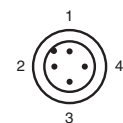
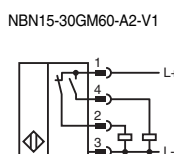
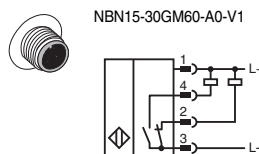
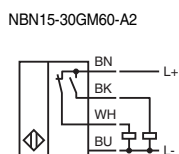
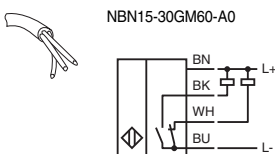
See pages from 972 ... for cordsets

See pages 1068 ... for mounting aids

- V1-G-BK** 4-pin, M12 female field-attachable connector
- BF 30** Mounting flange, 30 mm
- V1-W-BK** 4-pin, M12 female field-attachable connector
- V1-G-2M-PUR** Cable socket, M12, 4-pin, PUR cable
- V1-W-2M-PUR** Cable socket, M12, 4-pin, PUR cable



Electrical Connection



Wire colors in accordance with EN 60947-5-2

- 1 BN (brown)
- 2 WH (white)
- 3 BU (blue)
- 4 BK (black)

Date of issue 04/08/2015

Refer to "General Notes Relating to Pepperl+Fuchs Product Information".

Pepperl+Fuchs Group
www.pepperl-fuchs.com

USA: +1 330 486 0001
fa-info@us.pepperl-fuchs.com

Germany: +49 621 776 4411
fa-info@de.pepperl-fuchs.com

Singapore: +65 6779 9091
fa-info@sg.pepperl-fuchs.com

Courtesy of Steven Engineering, Inc - (800) 258-9200 - sales@steveneng.com - www.stevenengineering.com